

City of Wildomar— Building Department

Patio Cover Standard

3-01-2018

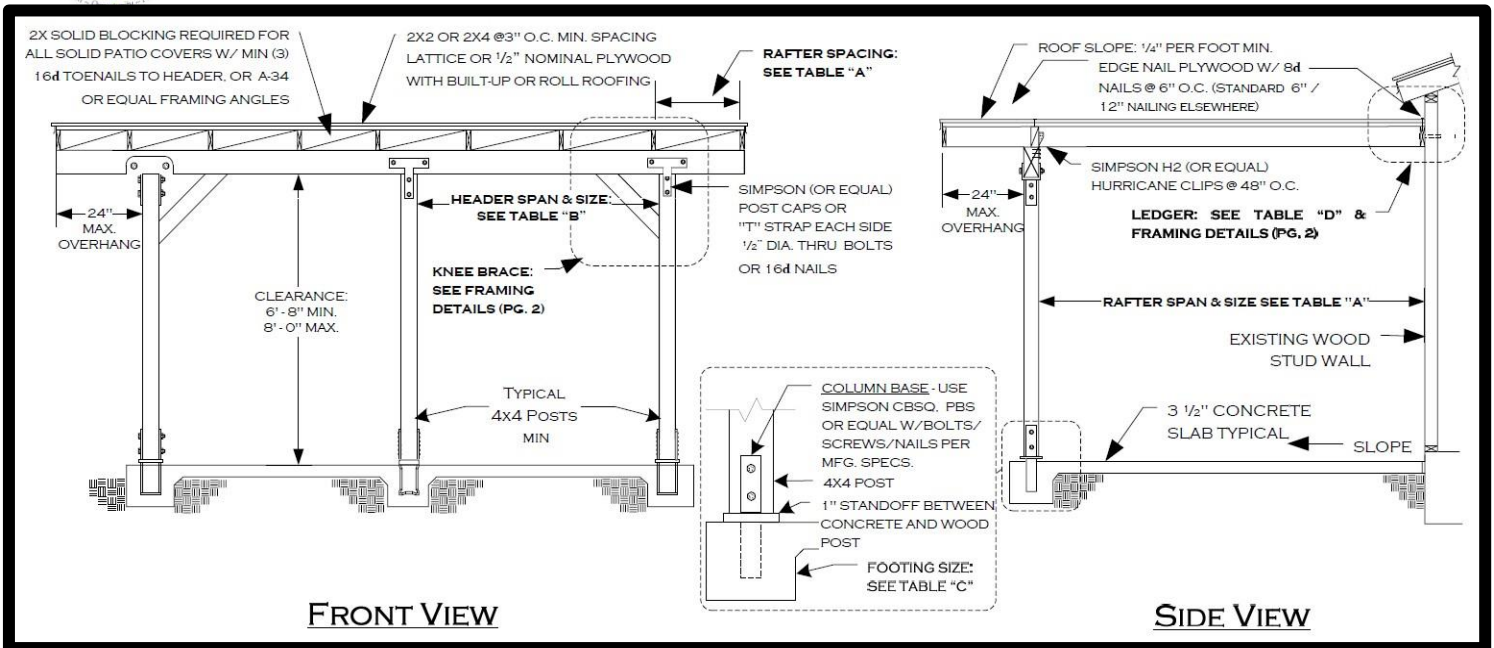


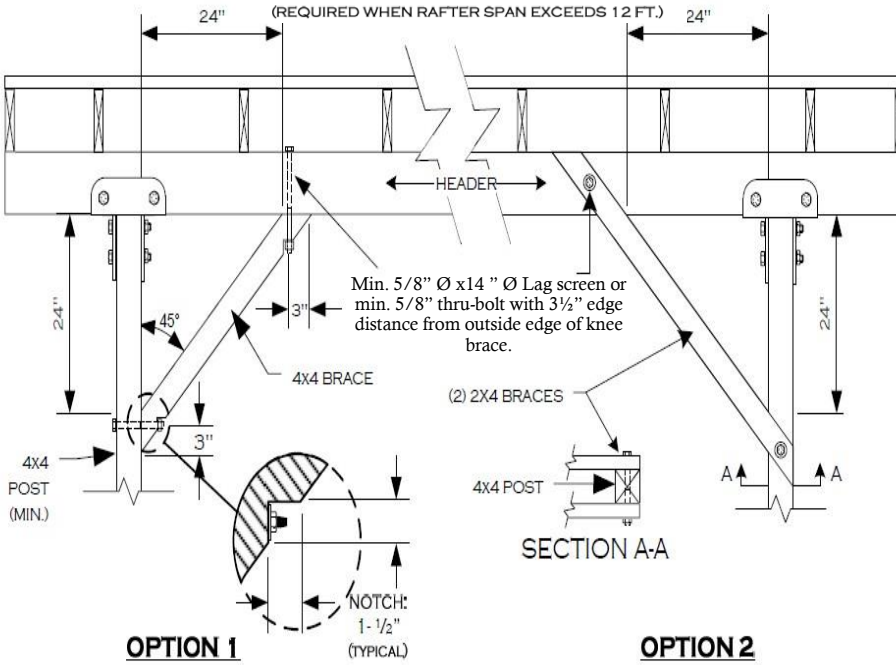
TABLE "A" RAFTER SPANS (DOUGLAS FIRE #2 OR BETTER)			TABLE "B" HEADER SIZE & SPANS (DOUGLAS FIRE #2 OR BETTER)		TABLE "C" FOOTING SIZE	TABLE "D" LEDGER BOLTING	
SIZE	SPACING	SPAN	RAFTER SPAN	HEADER	BASED ON 1000 P.S.F. SOIL BEARING PRESSURE.	ALL LAG BOLTS SHALL HAVE 1/4" PRE-DRILLED HOLES	
				SPAN			SIZE
2 X 4	12" O.C.	9'-10'	UP TO 12'-0"	8'-0" MAX	4 X 6	18" SQ. x 12" DEEP	
	16" O.C.	8'-11'		10"-0" MAX	4 X 8	18" SQ. x 12" DEEP	
2 X 6	24" O.C.	7"-10'		12"-0" MAX	4 X 10	18" SQ. x 12" DEEP	1/2" DIA, X 5" LONG AT 16" O.C. STAGGERED.
	12" O.C.	15'-6"		14'-0" MAX	4 X 12	18" SQ. x 12" DEEP	
	16" O.C.	14'-1"					
2 X 8	24" O.C.	11'-11"		12'-1" TO 20'-0"	8'-0" MAX	4 X 8	24" SQ. x 12" DEEP
	12" O.C.	20'-5"	10"-0" MAX		4 X 10	24" SQ. x 12" DEEP	
	16" O.C.	18'-5"	12"-0" MAX		4 X 12	24" SQ. x 12" DEEP	
24" O.C.	15'-1"	14'-0" MAX	4 X 14		24" SQ. x 12" DEEP		
2 X 10	12" O.C.	26'-0"				(2) 3/8" DIA X 5" LONG AT 16" O.C.	
	16" O.C.	22'-6"					
	24" O.C.	18'-6"					
2 x 12	12" O.C.	26'-0"					
	16" O.C.	26'-0"					
	24" O.C.	21'-4"					

NOTES:

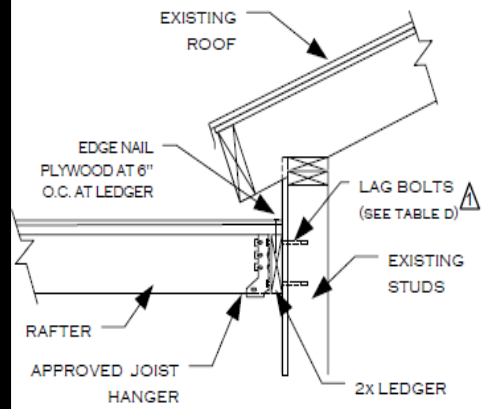
- Two 2x members may be substituted for one 4x horizontal framing member.
- Lag bolts must fully engage a wood stud or rim joist and be provided with appropriate washers. Lag bolts shall be located a minimum of 1-1/2" from the top or bottom of the ledger.
- Not designed to be enclosed - Additional engineering analysis will be required if enclosed.
- See page 2 of 2 for construction details.
- Artificial lighting is required in rooms that have window openings into the covered patio area if the total window area in that room is less than 10% or the floor area of the room or 20 square feet, whichever is greater.
- Concrete mix for footings shall have a minimum compressive strength of 2500 psi @ 28 days.

DISCLAIMER: Alternate patio designs may be possible when provided with an engineered analysis. Use of this conventional standard design is at the user's risk and carries no implied or inferred guarantee against failure or defects.

KNEE BRACE DETAIL AT END POSTS



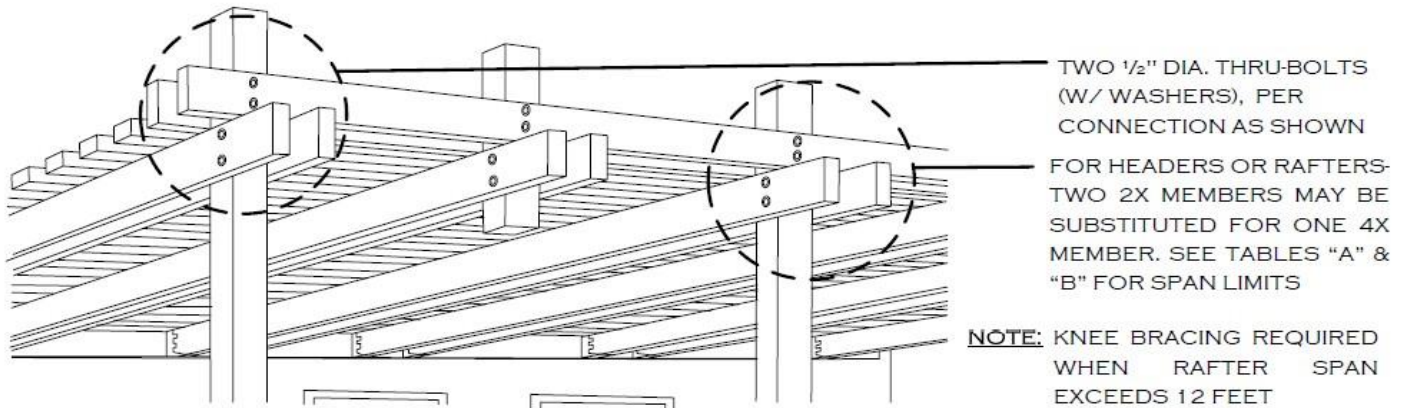
LEDGER ATTACHMENT DETAIL



NOTES:

1. USE A CONTINUOUS 2X LEDGER – SAME DEPTH AS RAFTER OR LARGER
2. SEE TABLE "D" FOR BOLTING REQUIREMENTS

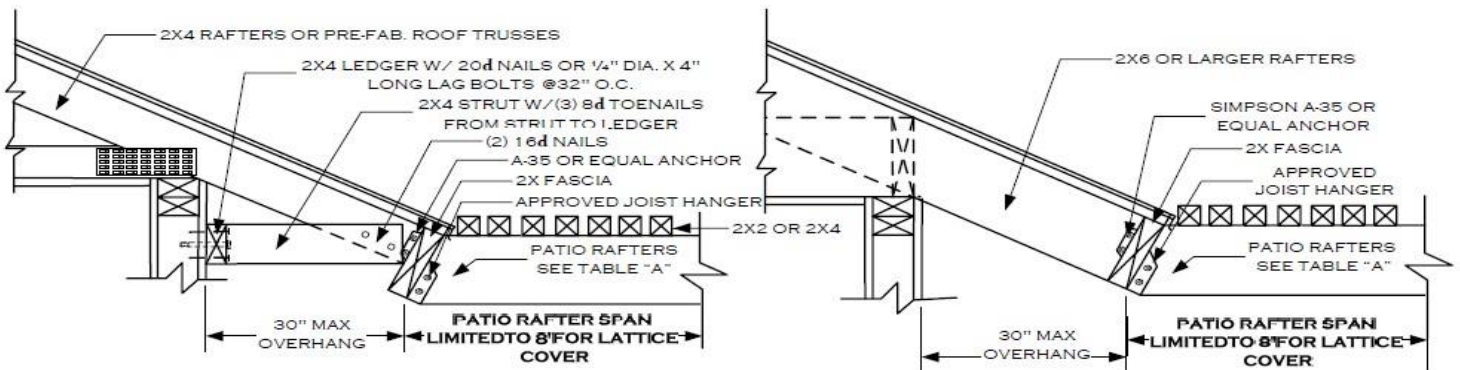
INVERTED HEADER DESIGN OPTION (LATTICE ONLY)



2X FASCIA (OVERHANG) ATTACHMENT – LATTICE ONLY

OPTION 1

OPTION 2



NOTE:

Verify structural soundness of roof rafters for decay or termite damage, and replace with like materials as needed, after consultation with the Building Department.